



PMC-T401 is CET's latest offer for the Temperature (RTD) and Residual Current monitoring for the Commercial and Industrial markets. Housed in an ultra-compact form factor measuring only 72(L)×90(H)×60(D) mm, the PMC-T401 is perfectly suited for installation in extremely space restricting environment. The PMC-T401 can be used as a stand-alone monitor that offers real-time monitoring and alarming of Residual Current and Temperature with its Front Panel buttons, LCD display and a built-in Alarm Buzzer. With the standard RS-485 port and Modbus RTU protocol support, the PMC-T401 becomes a vital component of an intelligent, centralized Condition Monitoring System.

Typical Applications

- Intelligent Electrical Fire and Condition Monitoring for Industrial or Commercial facilities
- Industrial and Commercial Electrical Power System
- AC Low Voltage Distribution System
- Condition monitoring of electrical equipment

Features Summary

Ease of use

- Bright, backlit, easy to read LCD display
- Display of all Temperature and Residual Current measurements
- Two Front Panel buttons
- LED Indicators for Run, Fault, Alarm and Communication
- Built-in Alarm Buzzer
- Password-protected setup via front panel or free PMC Setup software
- DIN Rail or Panel Mount installation

Temperature Measurement

- Four channels RTD input with optional PT100 sensor
- Two Setpoint Alarm levels between 45 and 140°C

Residual Current Measurement

- Two channels Residual Current input with optional Residual CT
- Two Setpoint Alarm levels between 20 and 1000mA

SOE Log

- 64 events time-stamped to ±1ms resolution
- Setup changes, Setpoint Alarms, Power Reset, ...etc.

Communications

- 1xRS-485 port @ 9600bps, 8E1
- Modbus RTU protocol

Accuracy

Parameters	Measurement Range	Accuracy	Resolution
Residual Current	20- 2000mA	±1%	0.1mA
Temperature	0 - 200°C	±1°C	0.1°C

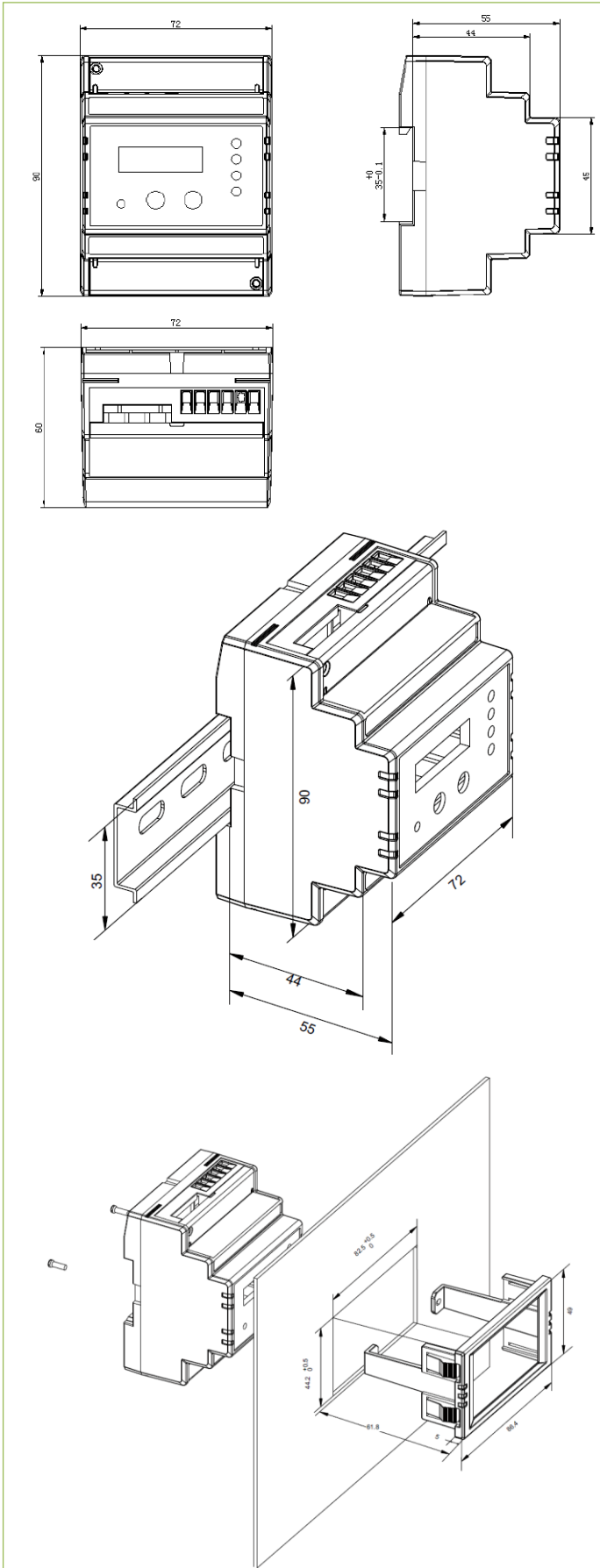
Technical Specifications

Power Supply (L/+, N/-, GND)	
Standard	95-250VAC/DC, ±10%, 47-440Hz
Burden	<1.5W
Frequency	50Hz/60Hz
Communications	
Type	RS-485
Baud Rate	9600bps
Communication Format	8E1 (8 Data Bits, Even Parity, 1 Stop Bit)
Protocol	Modbus RTU
Environmental conditions	
Operating temp.	-25°C to +70°C
Storage temp.	-40°C to +85°C
Humidity	5% to 95% non-condensing
Atmospheric pressure	70 kPa to 106 kPa
Pollution Degree	2
Setpoint Range	
Residual Current Range	20-1000mA in 1mA step size
Temperature Range	45-140°C, 1°C step size
Buzzer	
Decibel	70dB (measured at 1m range)
Mechanical Characteristics	
Mounting	DIN Rail or Panel
Unit Dimensions	72(L)×90(H)×60(D) mm
IP Rating	30

Front View




Dimensions and Installation



Standards of Compliance

Safety Requirements		
CE LVD 2014 / 35 / EU		EN 61010-1: 2010 EN 61010-2-030: 2010
Insulation		IEC 60255-5-2000
Dielectric test		2kV @ 1 minute
Insulation resistance		>100MΩ
Impulse voltage		5kV, 1.2/50μs
Electromagnetic Compatibility		
Immunity Tests		
Electrostatic Discharge		IEC 61000-4-2:2001 Level III
Radiated Fields		IEC 61000-4-3:2006 Level (10V/m)
Fast Transients		IEC 61000-4-4:2004 Level III
Surges		IEC 61000-4-5:2005 Level III
Conducted Disturbances		IEC 61000-4-6:1995 Level III
Magnetic Fields		IEC 61000-4-8:2001 Level IV
Oscillatory Waves		IEC 61000-4-12:1995 Level III
Mechanical Tests		
Vibration Test	Response	IEC 60255-21-1:1998 Level I
	Endurance	IEC 60255-21-1:1998 Level I
Shock Test	Response	IEC 60255-21-1:1998 Level I
	Endurance	IEC 60255-21-1:1998 Level I
Bump Test		IEC 62052-11: 2003 Level I

Ordering Information



Version 20170328

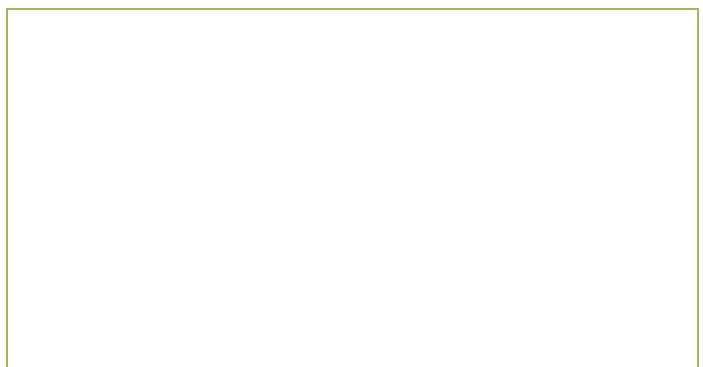
Product Code	Description
PMC-T401 Temp. & Residual Monitor	Standard DIN Rail Mount with LCD display, 1xRS485 port, Modbus RTU and 95-250 VAC/DC Power Supply
Inputs 4xRTD Temperature Input + 2xResidual Current Input	
PMC-T401 - M	PMC-T401-M (Standard Model)

1. RTD Temperature Input needs to be equipped with optional PT100 sensor.
2. Residual Current Input needs to be equipped with optional 1A/0.5mA of Residual CT.
3. Panel Mount installation needs to be equipped with optional mounting accessories.

CET Inc.

A: 8/F, WestSide, Building 201, Terra Industrial & Tradepark
 Che Gong Miao, Shenzhen, Guangdong, P.R.China 518040
 T: +86.755.8341.5187
 F: +86.755.8341.0291
 E: support@cet-global.com
 W: www.cet-global.com

Your Local Representative



Preliminary Revision Date: March 28, 2017