

CSE485-YG

RS485/422 Signal Isolation Repeater



- Support RS485/422 serial port signal isolation and amplification, extending transmission distance
- Support RS485 and RS422 interface conversion
- Support 300bps~460800bps baud rate
- Support automatic identification of RS485 data flow direction and automatic forwarding with zero delay
- Support 15kV electrostatic protection, 600W/ms lightning protection and 2.5kV photoelectric isolation protection
- Support 128-node terminal device communication
- Support DC 9~36V power input with reverse polarity protection
- Support wide operating temperature range of -40°C to +85°C

Product Description

The CSE485-YG High-Speed Signal Isolation Repeater amplifies RS485/422 serial signals, extending transmission distance and network endpoint capacity. It achieves a maximum relay distance of 1.2km. The serial interface complies with EIA/TIA RS485 and RS422 standards, providing up to 2500Vrms isolation protection against electrostatic discharge and lightning strikes to enhance communication system reliability and stability. The CSE485-YG supports point-to-multipoint connections with up to 128 RS485/422 terminal devices. Its I/O circuitry automatically controls data flow direction, eliminating the need for handshake signal jumper settings and ensuring compatibility with existing communication software and interface hardware. The hardware features low-power consumption and wide-temperature design, exhibiting excellent high/low-temperature tolerance. It operates stably within -40°C to +85°C environments and is widely applicable for equipment like motors, transformers, and relays, or scenarios where lightning events may generate high-amplitude transient interference.

Technical Specifications

Interface	
Serial Port	<p>Standard: Comply with EIA RS485, RS422 standards</p> <p>Number of interfaces: 1 x RS485/422 to 1 x RS485/422</p> <p>RS485/422 signal: A+/TX+, B-/TX-, GND, RX+, RX-</p> <p>Baud rate: 300bps~460800 bps</p> <p>Load capacity: supports 128 nodes polling</p> <p>Communication distance: The relay distance is greater than 1.2km (19200bps)</p> <p>Connection method: 10-position 5.08mm pitch terminal block</p> <p>Interface protection: 15kV electrostatic protection, 600W/ms lightning protection</p> <p>Photoelectric isolation:2.5kV</p>
Status LED	<p>Power indicator</p> <p>Serial port sending data indicator</p> <p>Serial port receiving data indicator</p>
Power Supply	
Input Voltage	DC 9~36V, reverse polarity protection
Power Consumption	≤0.6W @ DC24V (full load)
Connection	10-pin terminal block with 5.08mm pitch (2 pins reserved for power)
Physical Characteristics	
Dimensions	102.4×72×34 mm (DIN rail mounting clip and connector excluded)
Installations	Easy installation on 35mm DIN rail
Weight	About 0.14kg
Working Environment	
Operating Temperature	-40°C~+85°C
Storage Temperature	-40°C~+85°C
Relative Humidity	5%~95%(non-condensing)

Industrial Standard

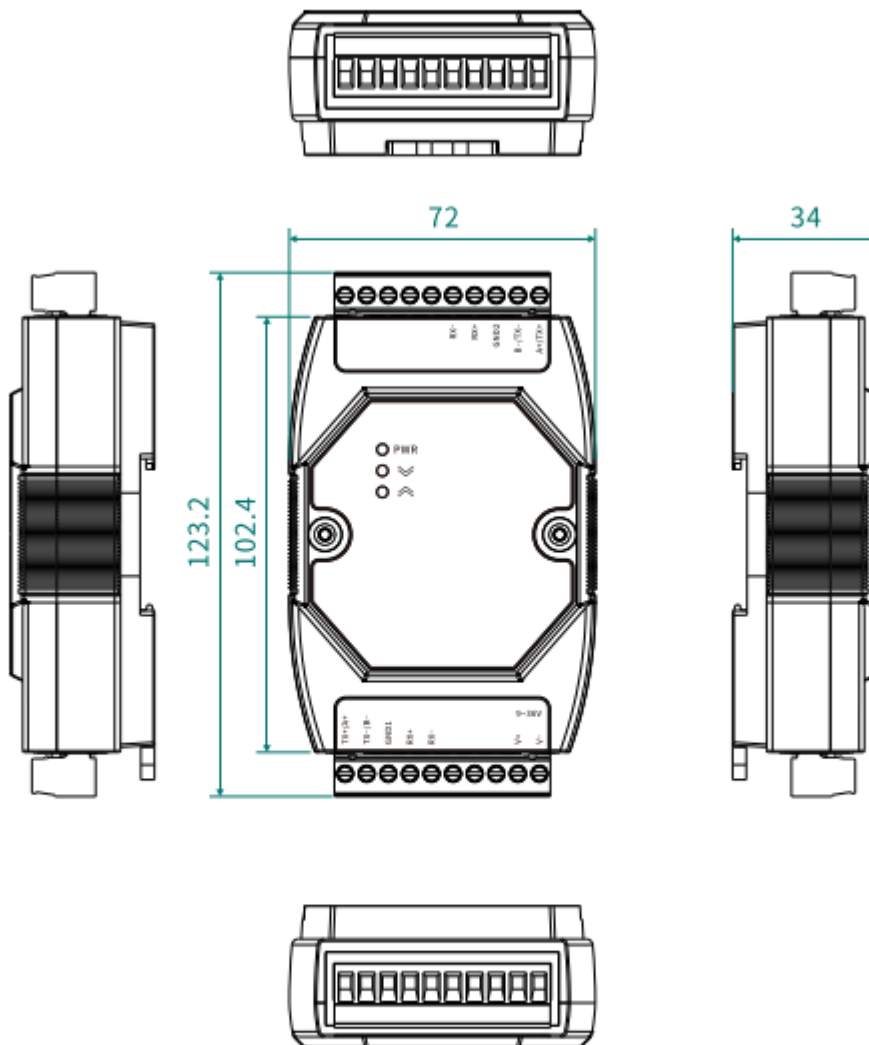
EMC

IEC 61000-4-2 (ESD): Air discharge $\pm 15\text{kV}$

IEC 61000-4-5 (Surge): RS485/422 Common mode $\pm 4\text{kV}$

Dimensions

Unit: mm



Ordering Information

Standard Model	Master Station RS485/422	Slave Station RS485/422	Power Supply
CSE485-YG	1	1	DC9~36V



Contact Us

COME-STAR COMMUNICATION(WUHAN) CO., LTD.

Address: Puneng Industrial Park, Fenghuang Garden 1st Road, East Lake High-Tech Development Zone, Wuhan, China.

Tel: +86-027-59257958

Mail: sales@come-star.com

Official site: www.come-star.com

Copyright © Come-Star All rights reserved