

Mport3102R

2-port RS232/RS485 Serial to Ethernet Server

Product description

Mport3102R series products mainly realize the data transmission between Ethernet and serial port (RS-232/RS-485). This series of products is based on the 32-bit ARM Cortex-M7 main control CPU to realize the function of one Ethernet interface and two serial ports to communicate and exchange data. This series of products converts serial devices in the field of industrial automation to the communication format of the Ethernet network, so that RS-232/RS-485 devices that were previously unable to access the Internet can be easily and flexibly linked to the network.



Features:

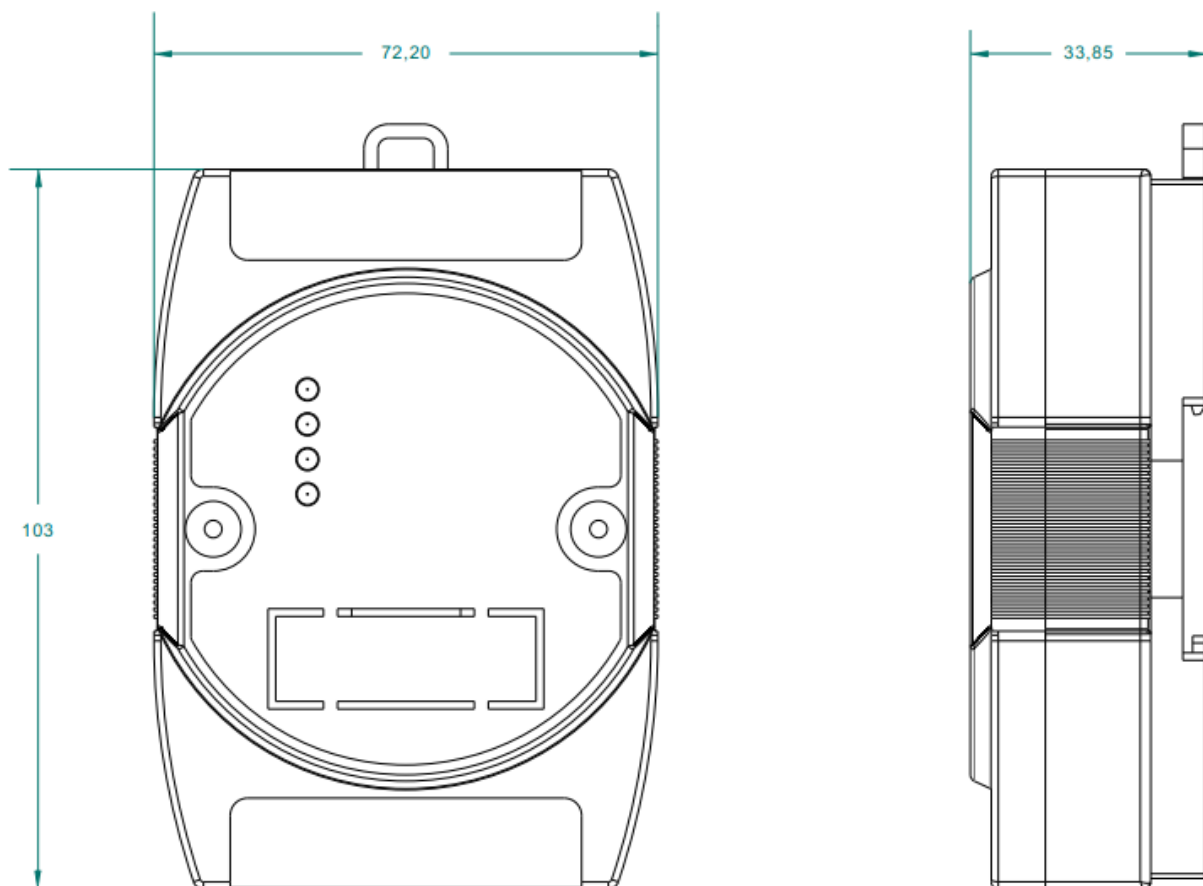
- One 100M Ethernet RJ45 port and 2*RS-232/RS-485 serial network
- Using 32-bit Arm Cortex-M7 core CPU, up to nearly 400MHz frequency
- External independent hardware watchdog design to prevent crashes
- Lightning protection of Ethernet interface up to 6KV
- RS-232/RS-485 interface up to 4KV surge protection
- Provide industrial grade DC power supply DC9 ~ 36V input
- Support Modbus RTU/ASCII to Modbus TCP conversion
- Support Virtual COM software management
- Din Rail installation

Product specifications

Power supply	
Working Voltage	9~36V
Network port	
Network port type	10 / 100Mbps, RJ45 interface; adaptive MDI / MDIX
Isolation protection	1.5KV isolation protection
Serial port	
Number of serial ports	2* RS232/RS485 working mode, choose one of two
Baud rate	600~460800 (bps)
Data bit	7, 8
Stop bit	1, 2
Validation modes	none, odd parity, even parity
Connector	terminal blocks for RS485/232
Reliability	
ESD	±6kV(contact); ±8kV(air)
Surge	Power supply: ±2kV / common mode, ±2kV/ differential mode
	RS485/ 422: ±2kV / common mode, ±2kV/ differential mode
	Network port: ±6kV/ common mode, ±2kV/ differential mode
EFT	Power supply: ±2kV Communication port: ±2kV
Mechanical structure	
Size	72.2mm*33.85mm* 103mm
Working environment	
Operating temperature	-40°C~70°C
Storage temperature	-40°C~70°C
Relative humidity	5%~95% (no condensation)
Software parameters	
Network Protocols	ICMP, IPv4, IP, ARP, TCP, UDP, DHCP, DNS, HTTP, RFC2217
IP acquisition method	Static IP/DHCP
DNS	Support
User configuration	Web configuration
Simple transparent transmission	TCP Server/TCP Client/UDP
Modbus	Support Modbus RTU/ASCII to Modbus TCP(Master & Slave Mode)
	Support Modbus Over TCP
	Modbus TCP to Modbus RTU
Serial port packaging mechanism	Time and length can be set; The default value varies according to the bit rate;

	The maximum packing length is 1460 bytes.
TCP Server connection	Support up to 8 TCP connections
Network cache	Send: 16Kbyte; Receive: 16Kbyte
Serial port cache	Send: 1.5Kbyte; Receive: 1.5Kbyte;
Flow Control	Auto Flow Control
Heartbeat bag	Support network port custom heartbeat package
Average transmission delay	<10ms
Supporting software	Network Configuration Tool, VirtualCOM, MWView, MaxView

Dimensional drawing



Ordering information

Mport3102R	2 RS232/RS485 serial device networking server, DC9 ~ 36V wide voltage input, DIN RAIL.
------------	--